

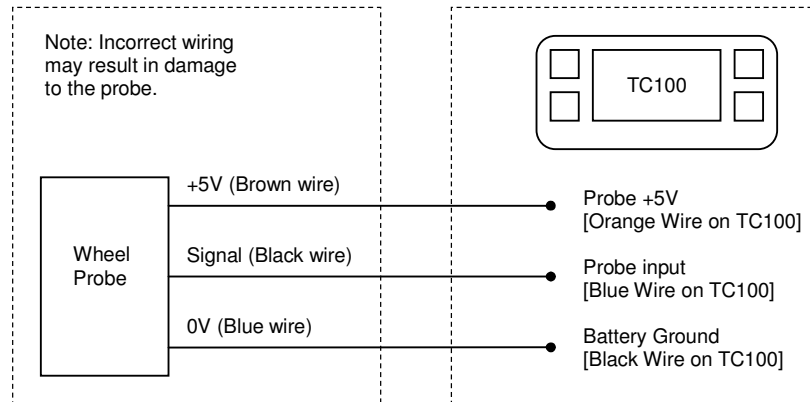


# Probe Installation Guide

## For Monit Wheel Probe

© monit limited, 2007

### wiring diagram



\* note, wiring colors are not logical!

### instructions

1. Connect the three wires from the probe to the TC100 as shown above.
2. The sensor is triggered when it is brought within 1-3mm of a steel object. It should be mounted so that it 'looks' at metal projections on part of the vehicle's drive train, such as inside the wheel hub, looking at the wheel bolt heads, or near a drive shaft looking at the bolts. The distance between the sensing head and the sensing object is very important. Anything more than 3.0mm and the sensor may skip. Also take care to ensure that stones and debris thrown up by the vehicle's wheels cannot easily damage the sensor or sensor wiring.
3. Care should be taken to run the sensor wires away from any high voltage elements of the vehicle wiring e.g. coil, leads etc as this can cause interference in the distance measured.

### testing

4. The sensor has a small red lamp on its back face. This lights up when the sensor is brought near metal, and can be used to check that the sensor is working correctly. Note, the sensor must be connected to the Rally Computer for this to work.