

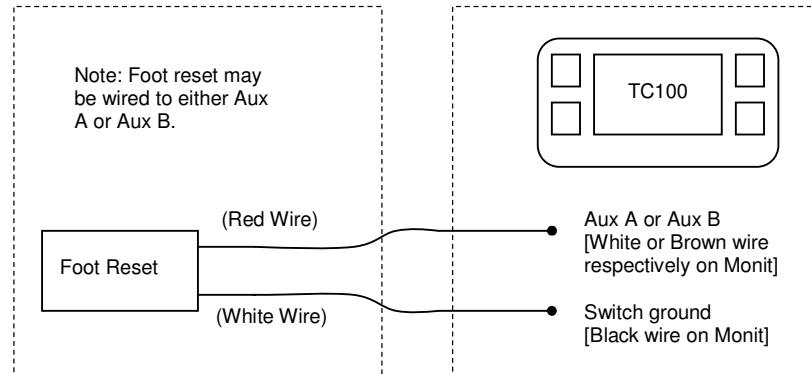


# Installation Guide

## For Monit Foot Reset

© monit limited, 2007

### Wiring Diagram



### Instructions

1. Connect foot reset wires as shown above. Note: the wiring colors are not logical.
2. Apply power and navigate to the settings menu. Scroll to the item called 'Auxiliary' (either A or B depending on which you wire the switch too) and press OK.
3. Scroll down to the function you wish the switch to perform and then press OK.
4. Exit from the menu using the back key.

### Testing

1. Navigate to the main screen and test that the switch performs the function as required.
2. Your foot switch should now be ready to use, please refer to the monit users manual for further information on switch functions.