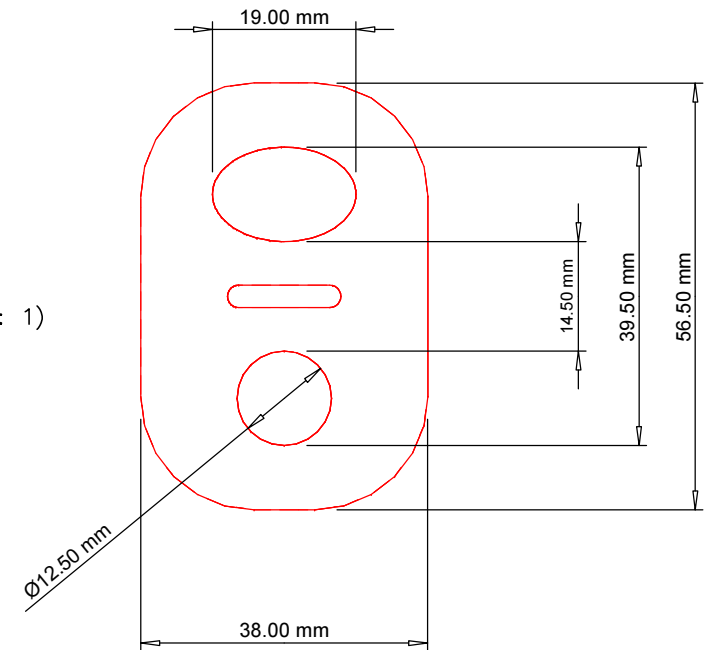


AUXILIARY VIEW (1 : 1)

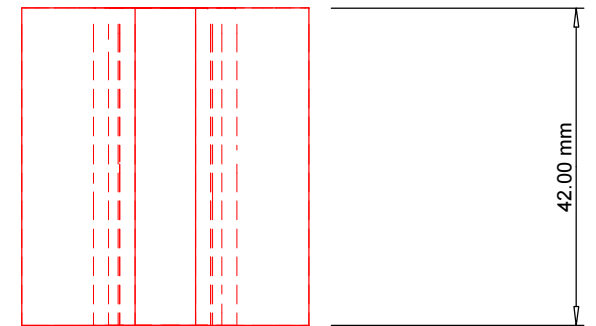
NOTES:

- MATERIAL: POLYURETHANE  
HIGH TEMPERATURE SPEC
- FINISH: COLOUR = RED
- ALL DIMENSIONS AS PER FINISHED PARTS

TOP VIEW (1 : 1)



SIDE VIEW (1 : 1)



MACHINING, WELDING & FABRICATION  
TOLERANCES UNLESS NOTED OTHERWISE  
(ALL DIMENSIONS IN MILLIMETRES)

HOLE CENTRES  $\pm 0.2$   
WELDING PROCESS TYPE - TIG  
TOLERANCES - UNLESS NOTED

MACHINED SURFACES  $\frac{0.2}{\nabla}$   
 INTEGER (X)  $\pm 0.3$   
 1-DECIMAL (,X)  $\pm 0.1$   
 2-DECIMAL (.XX)  $\pm 0.05$   
 ANGULAR  $\pm 0.5$

DESCRIPTION

EXHAUST MOUNT  
EXH016

© COPYRIGHT. ALL RIGHTS RESERVED  
THIS DRAWING IS STRICTLY CONFIDENTIAL AND MUST NOT BE  
COPIED, REPRODUCED OR ADAPTED, NOR MAY ARTICLES BE  
MANUFACTURED IN ACCORDANCE WITH THE DRAWING WITHOUT  
PRIOR WRITTEN PERMISSION OF POWERFLEX.



MATERIAL  
POLYURETHANE

DRAWING No.  
EXH016

REV  
0

ORIGINAL ISSUE

P.S. 10/10/13