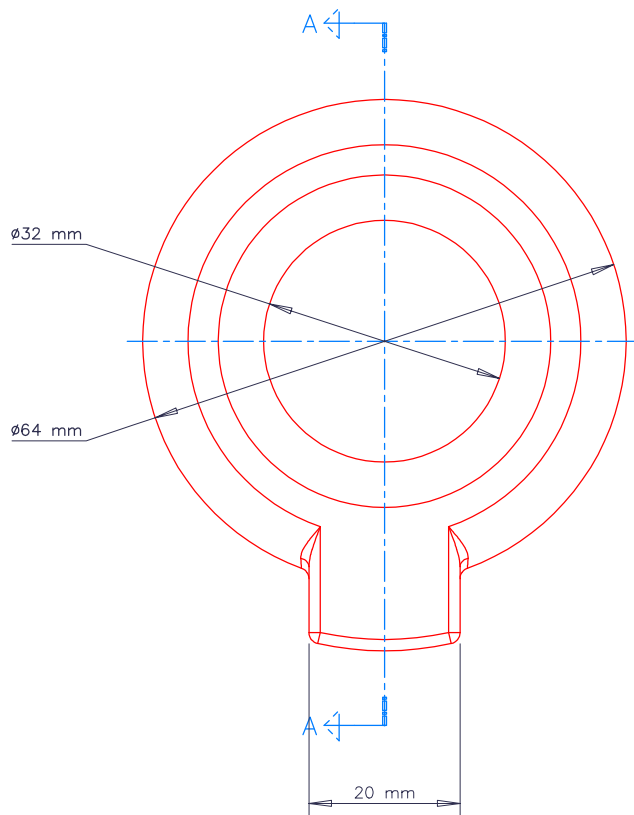
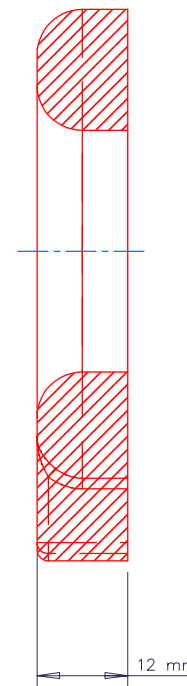




AUXILIARY VIEW (1 : 1)



TOP VIEW (1 : 1)



SECTION A-A (1 : 1)

- NOTES:
- 1. MATERIAL: POLYURETHANE  
HIGH TEMPERATURE SPEC
  - 2. FINISH: COLOUR = RED
  - 3. ALL DIMENSIONS AS PER FINISHED PART.

REVISION			DATE		
0	ORIGINAL ISSUE	PS	08/12/09		
No		BY	CHKD	DATE	

DESCRIPTION  
EXHAUST MOUNT  
EXH007

© COPYRIGHT. ALL RIGHTS RESERVED  
THIS DRAWING IS STRICTLY CONFIDENTIAL AND MUST NOT BE  
COPIED, REPRODUCED OR ADAPTED, NOR MAY ARTICLES BE  
MANUFACTURED IN ACCORDANCE WITH THE DRAWING WITHOUT  
PRIOR WRITTEN PERMISSION OF POWERFLEX.

**POWERFLEX**  
EPTC LTD

MATERIAL  
POLYURETHANE

DRAWING No.  
EXH007

REV  
0