

# LAZER

HIGH PERFORMANCE LIGHTING

## T-16



The T-16 features: 16 x high output 11 Watt LEDs, advanced thermal management systems, fully aluminium enclosure, silicon coated gore-tex breather membrane, and a *Dual-Optic* reflector system all designed to help maximise light output for the driver. The *Dual-Optic* reflector system consists of a central collimator which delivers the spread of light close to the vehicle, while the vacuum metallized reflector achieves incredible distance. Our Flexi-Mount system provides versatility, with the mounts able to slide along the lamp to suit different vehicle mounting points. Side brackets are also included.

LAZER  
HIGH PERFORMANCE LIGHTING

LAZER T-16



HYBRID OPTIC  
LED DRIVING LAMPS

## T-16

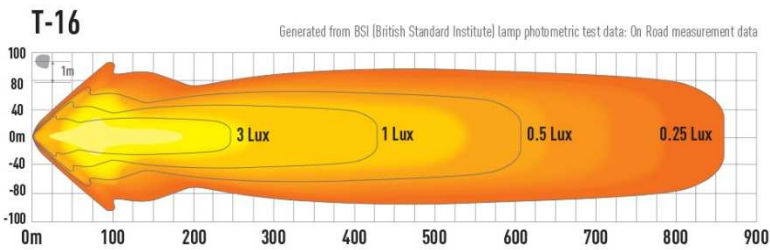
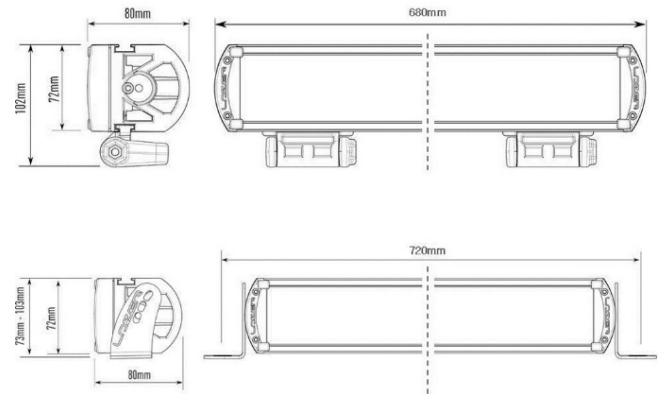


### TECHNICAL SPECIFICATIONS

E-MARK REF	N/A
VOLTAGE RANGE	9V-32V
RAW LUMENS	13880
BEAM PATTERN	Hybrid
OPTICAL EFFICIENCY	88%
BEAM DISTANCE (0.25LX)	860m
# HIGH POWER LEDS	16
POWER CONSUMPTION	190 Watts
CURRENT DRAW**	13 Amps
LED LIFE	50,000 Hrs*
WEIGHT	2600 Grams

\* LED Manufacturers Specifications \*\* At 14.4 Volts

- Dual optic reflector system delivers class leading distance and mid/long-range spread of light
- Superior build quality to withstand the most extreme off-road conditions
- Highest output LED 'bins' selected for optimal performance
- CAE optimised heatsink and electronic thermal management
- 'Unbreakable' polycarbonate lens



### MOUNTING OPTIONS



(Side Brackets Sold Separately)

LAZER LAMPS LTD  
 Unit 2 Pages Old Mill, Tamworth Road, Hertford, SG13 7DG, UK  
 Tel: +44(0)1992 677071  
 Email: sales@lazerlamps.com  
 www.lazerlamps.com

