

LAZER

HIGH PERFORMANCE LIGHTING

T-2



Motorsport and off-road racing comes in many sizes, and sometimes the requirement is for big performance from a small package...meet the Lazer T-2. The 2 x 11W high output LEDs combine with advanced thermal management systems to deliver maximum light output under all conditions. Our *Dual-Optic* reflector system consists of a central collimator which delivers a fantastic spread of light close to the vehicle and in the mid-range, while the vacuum metallized reflector achieves good distance. This resulting beam pattern gives maximum useable light for everyday use.

LAZER
HIGH PERFORMANCE LIGHTING

LAZER T-2



HYBRID OPTIC LED DRIVING LAMPS

T-2

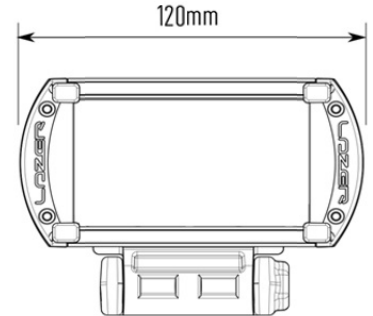
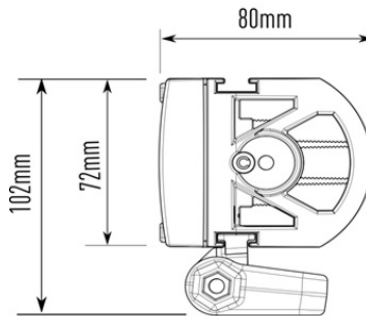
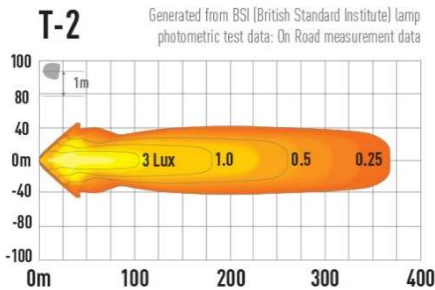


TECHNICAL SPECIFICATIONS

E-MARK REF	N/A
VOLTAGE RANGE	9V-32V
RAW LUMENS	2080
BEAM PATTERN	Hybrid
OPTICAL EFFICIENCY	88%
BEAM DISTANCE (0.25LX)	367m
# HIGH POWER LEDs	2
POWER CONSUMPTION	22 Watts
CURRENT DRAW**	1.5 Amps
LED LIFE	50,000 Hrs*
WEIGHT	380 Grams

* LED Manufacturers Specifications ** At 14.4 Volts

- Dual optic reflector system delivers class leading distance and mid-range spread of light
- Outstanding performance from such a small unit
- Highest output LED 'bins' selected for optimal performance
- CAE optimised heatsink and electronic thermal management
- 'Unbreakable' polycarbonate lens



MOUNTING OPTIONS



(Side Brackets Sold Separately)

LAZER LAMPS LTD
 Unit 2 Pages Old Mill, Tamworth Road, Hertford, SG13 7DG, UK
 Tel: +44(0)1992 677071
 Email: sales@lazerlamps.com
 www.lazerlamps.com

