

**Forge Motorsport - Uprated chargecooler radiator kits for the Audi S4 (B8 Chassis) 3.0TFSI.**

**Page 1 of 4**

**P/N: FMCCRAD1**



This kit has been developed to fit the Audi S4 3.0TFSI fitted with a **Single** OEM chargecooler radiator. The OEM chargecooler is located in front of the main radiator. This comprehensive kit allows the engine and chargecooler coolant to be separated as well as the improved cooling of the larger chargecooler radiator, giving better control over chargecooler coolant temperatures and recovery times. This kit is supplied with a CNC machined billet Forge expansion cap cover.

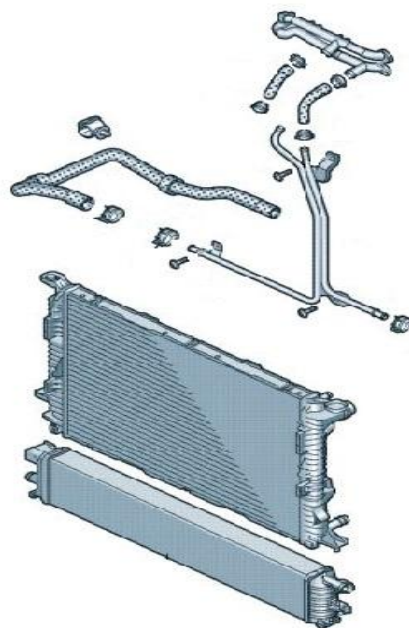
Reference images:

Audi S4 (B8) Chargecooler feed/return pipework:



Visible at the front of the engine and from underneath these pipes transfer coolant to and from the chargercooler and chargecooler radiator. On the later B8.5 Chassis this pipework is different (see image at the end of text).

Parts Diagram:



## Forge Motorsport – Audi S4 Chargecooler Kits

Page 2 of 4

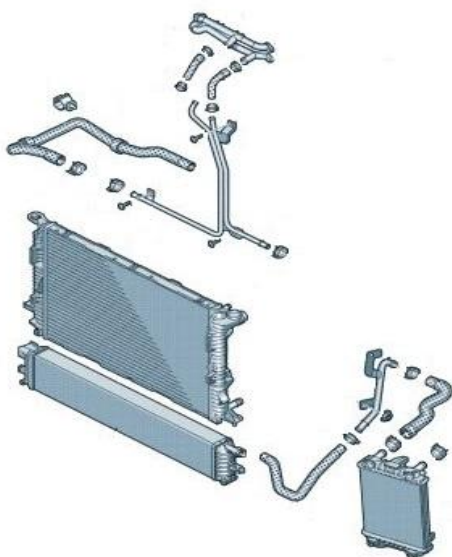
P/N: FMCCRAD2



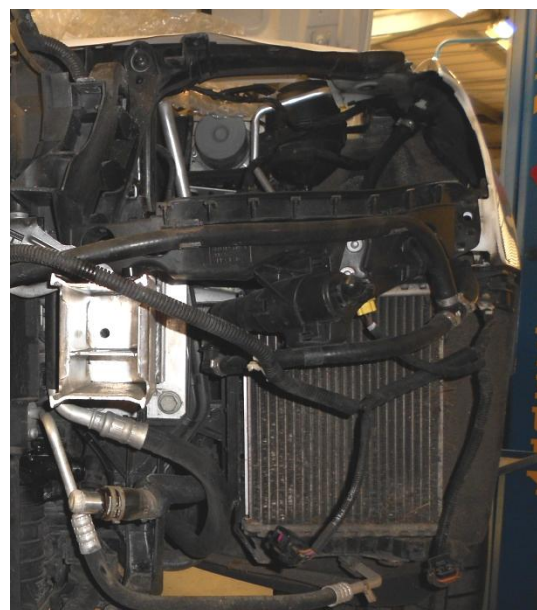
This kit has been developed to fit the Audi S4 3.0TFSI fitted with **Twin** chargecooler radiators. As well as the OEM chargecooler radiator there is also a side mounted chargecooler radiator.

Reference images:

Parts Diagram:



Vehicle image:



## Forge Motorsport – Audi S4 Chargecooler Kits

### Page 3 of 4

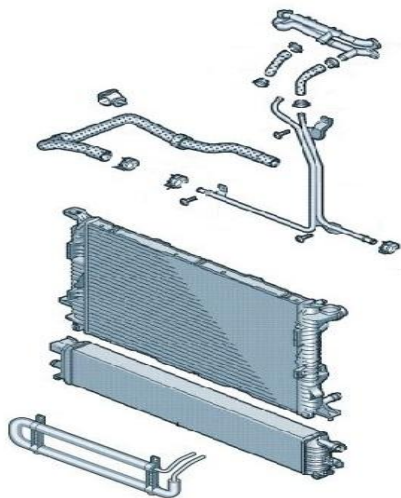
P/N: FMCCRAD3



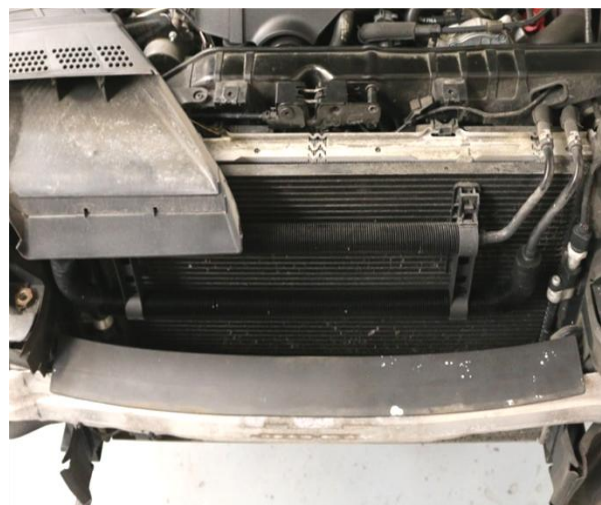
This kit has been developed to fit the Audi S4 3.0TFSI fitted with a **Single** chargecooler radiator **and optional ADS** (Audi Dynamic Steering) oil cooler. These vehicles are fitted with a large oil cooler located in front of the main radiator. Using the parts supplied in this kit the OEM oil cooler is replaced and relocated.

Reference images

Part diagram:



ADS oil cooler on vehicle



## Forge Motorsport – Audi S4 Chargecooler Kits

### Page 4 of 4

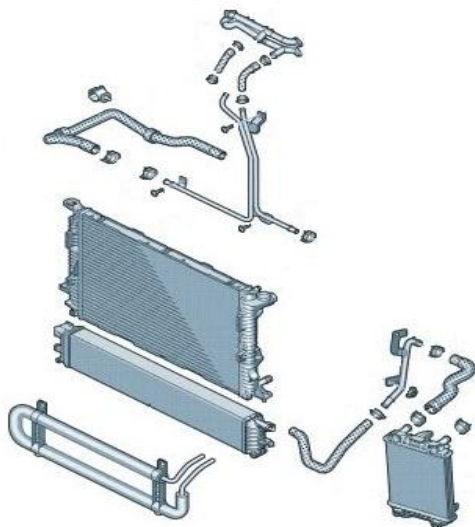
P/N: FMCCRAD4



This kit has been developed to fit the Audi S4 3.0TFSI fitted with **Twin** chargecooler radiator **and optional ADS** (Audi Dynamic Steering) oil cooler. These vehicles are fitted with a large oil cooler located in front of the main radiator. Using the parts supplied in this kit the OEM oil cooler is replaced and relocated.

Reference images

Parts diagram:



ADS oil cooler on the vehicle



**Additional information:**

**Audi S5 – B8.5 Chassis**

P/N: **FMCCRADS53T**

Already in production is the Forge Motorsport S5 (B8.5) chargecooler Kit. The main difference between the kits is the routing of the coolant.

The coolant feed pipe visible at the front of the engine, both point in the same direction.

