



### SLIMLINE

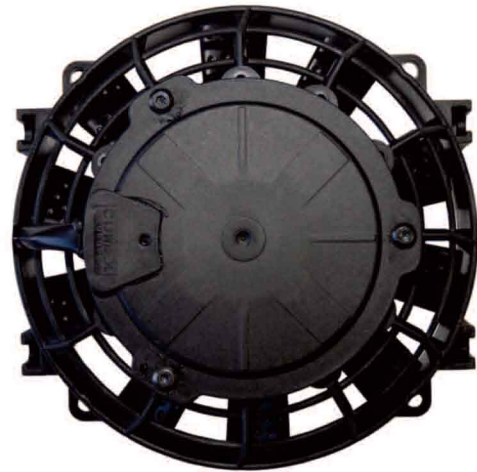
6.6 inch  
167 mm.

**12V  
DC**

**COMEX 0329 Suction  
COMEX 0326 Blowing**

**Part No: Suction: FAN0329  
Part No: Blowing: FAN0326**

Static Pressure		SUCTION Aspirante			BLOWING Soffiante		
mm H2O	inch	Airflow m3/h	Airflow cfm/h	Current Amp.	Airflow m3/h	Airflow cfm/h	Current Amp.
0,0	0	<b>560</b>	330	7,8	<b>450</b>	270	6,9
2,5	0,1	<b>520</b>	310	7,8	<b>390</b>	230	6,8
5,0	0,2	<b>480</b>	280	7,7	<b>320</b>	190	6,6
7,5	0,3	<b>410</b>	240	7,3	<b>260</b>	150	6,5
10,0	0,4	<b>340</b>	200	6,9	<b>220</b>	130	6,8
12,5	0,5	<b>320</b>	190	7,0	<b>200</b>	120	7,0
15,0	0,6	<b>300</b>	180	7,2	<b>180</b>	110	7,1
17,5	0,7	<b>280</b>	170	7,4	<b>160</b>	90	7,4
20,0	0,8	<b>260</b>	150	7,6	<b>130</b>	80	7,6
25,0	1,0	<b>210</b>	120	7,8	<b>70</b>	40	7,9
30,0	1,2	<b>150</b>	90	7,9	<b>20</b>	10	8,2
35,0	1,4	<b>80</b>	50	8,2	<b>0</b>	0	8,2
40,0	1,6	<b>0</b>	0	8,6			



Please note: Image for display purpose only. Actual fan may differ slightly from one shown.

Static Pressure: 1 mm H2O = 0,04 inch H2O      1 mm H2O = 9,8 Pa  
Airflow rate: 1 m3/h = 0,59 cfm

WEIGHT 0,95 Kg  
LOW NOISE

The dimensions are in mm. ( 25,4 mm. = 1 inch )

